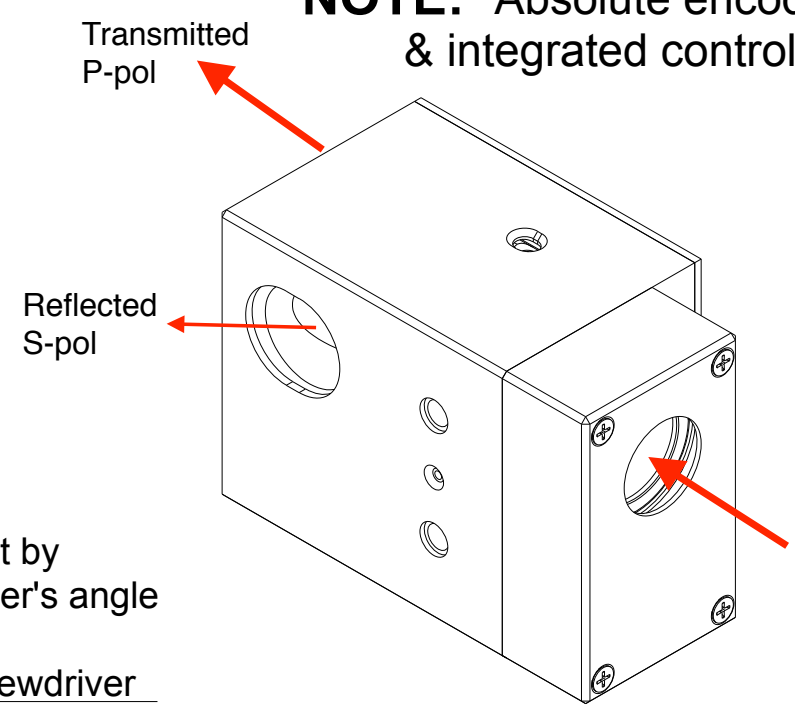
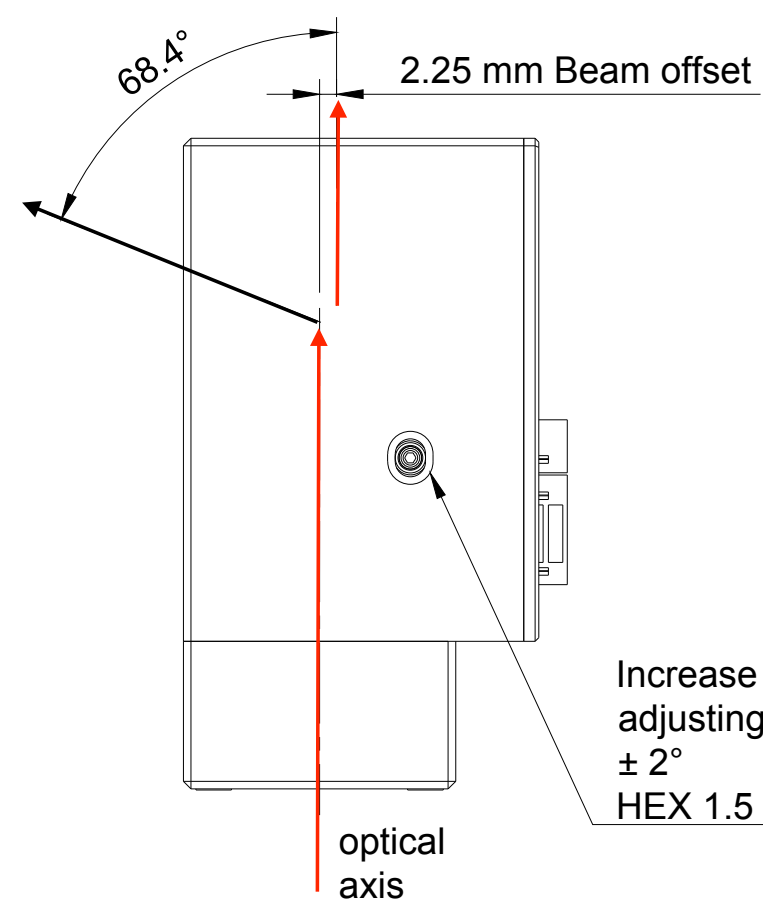
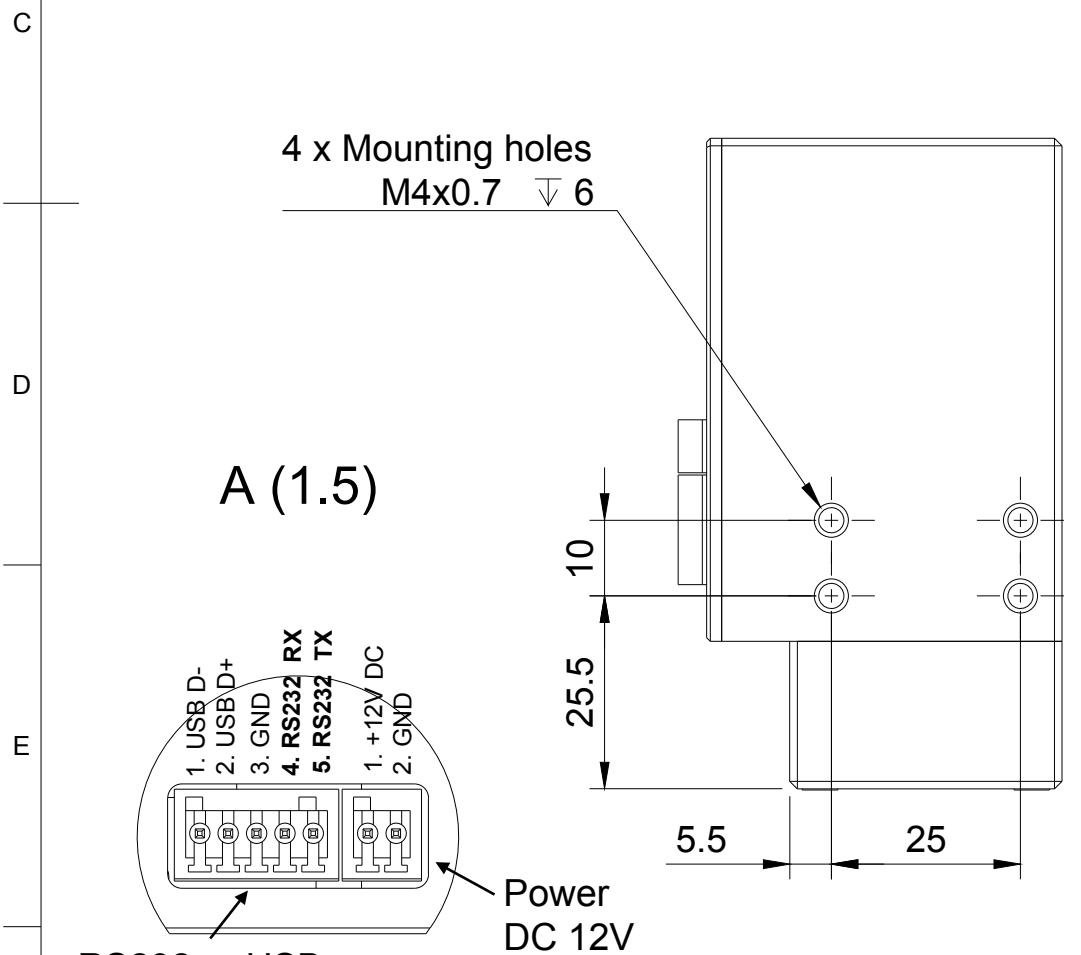


NOTE: Transmission type Laser power attenuator !

NOTE: Absolute encoder & integrated controller !



RS232 or USB
Connector 691381000005
Contact 691382000005

Power DC 12V
Connector 691381000002
Contact 691382000002

**FOR INFORMATION ONLY
NOT FOR MANUFACTURING PURPOSES**



Finish Anodized Aluminium	Created by Optogama	30/09/2019
Title LPA-A v2.0 Industrial attenuator Advanced & Integrated	DWG No. LPA-A v2.0	
Scale 1.1.25	A3	Sheet 1/1